

MOUNTING DIMENSIONS TRIPLE BARREL RUD-O-MATIC® TAGLINE

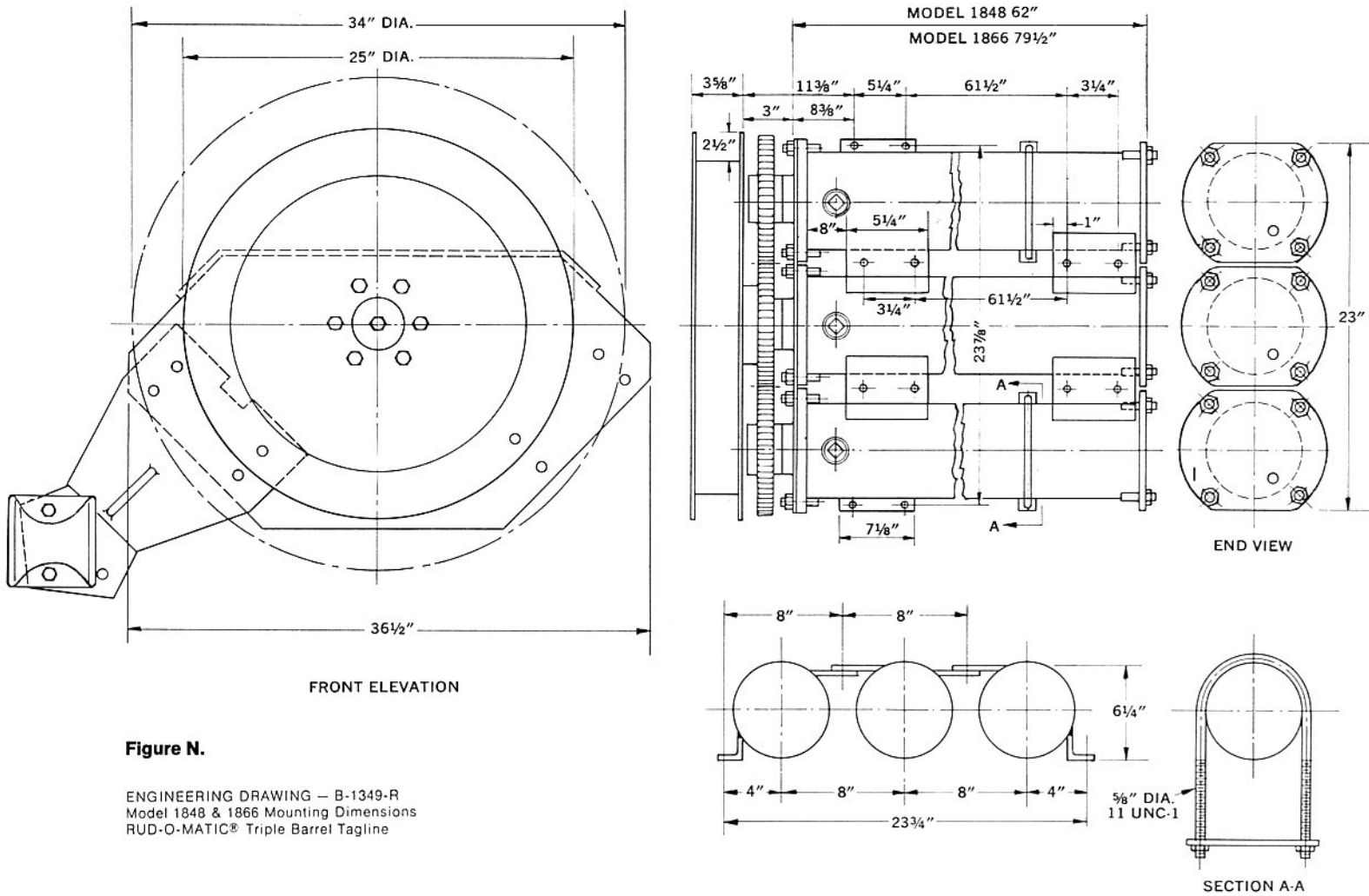


Figure N.

ENGINEERING DRAWING — B-1349-R
Model 1848 & 1866 Mounting Dimensions
RUD-O-MATIC® Triple Barrel Tagline

Model	Weights	Housing Length (each barrel)	Bucket Size	Cable Pullout From Neutral	Maximum Turns Of Cable Reel	Spring Dimension (.393 wire)
1848 with 20" reel	911 lbs.	60"	4 to 8 yd., 80 ft. boom	90 ft.	18	6" dia., 48" closed, 65" free, 121 coils
1848 with 30" reel	948 lbs.	60"	3 to 5 yd., 100 ft. boom	125 ft.	18	6" dia., 48" closed, 65" free, 121 coils
1866 with 30" reel	1119 lbs.	78"	3 to 5 yd., digging approx. 100 ft. below grade	200 ft.	25	6" dia., 62" closed, 87" free, 156 coils
1866 with 40" reel	1170 lbs.	78"	4 to 5 yd., digging approx. 100 ft. below grade	259 ft.	25	6" dia., 62" closed, 87" free, 156 coils

BAY MACHINERY
bmc
510/236-9000